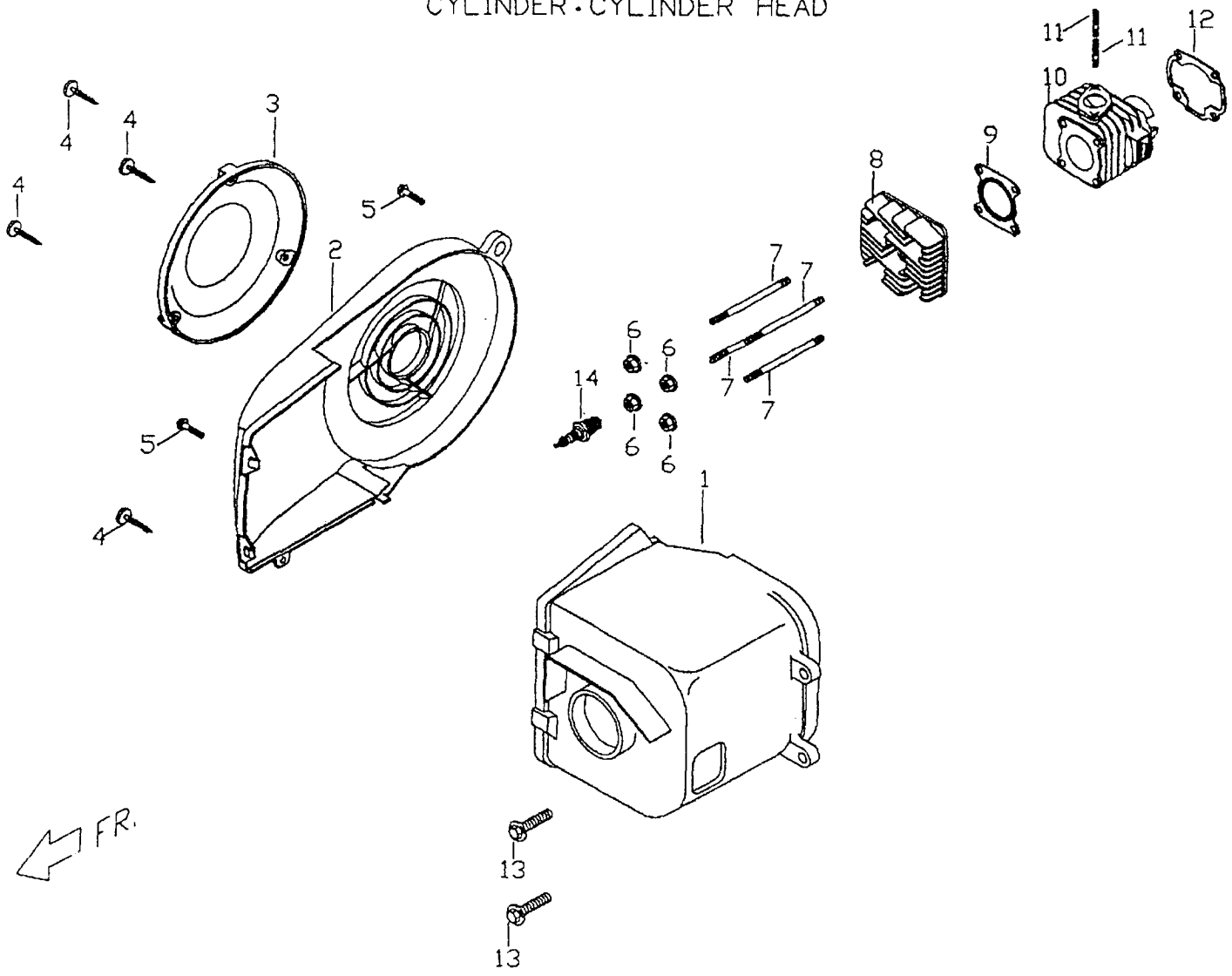
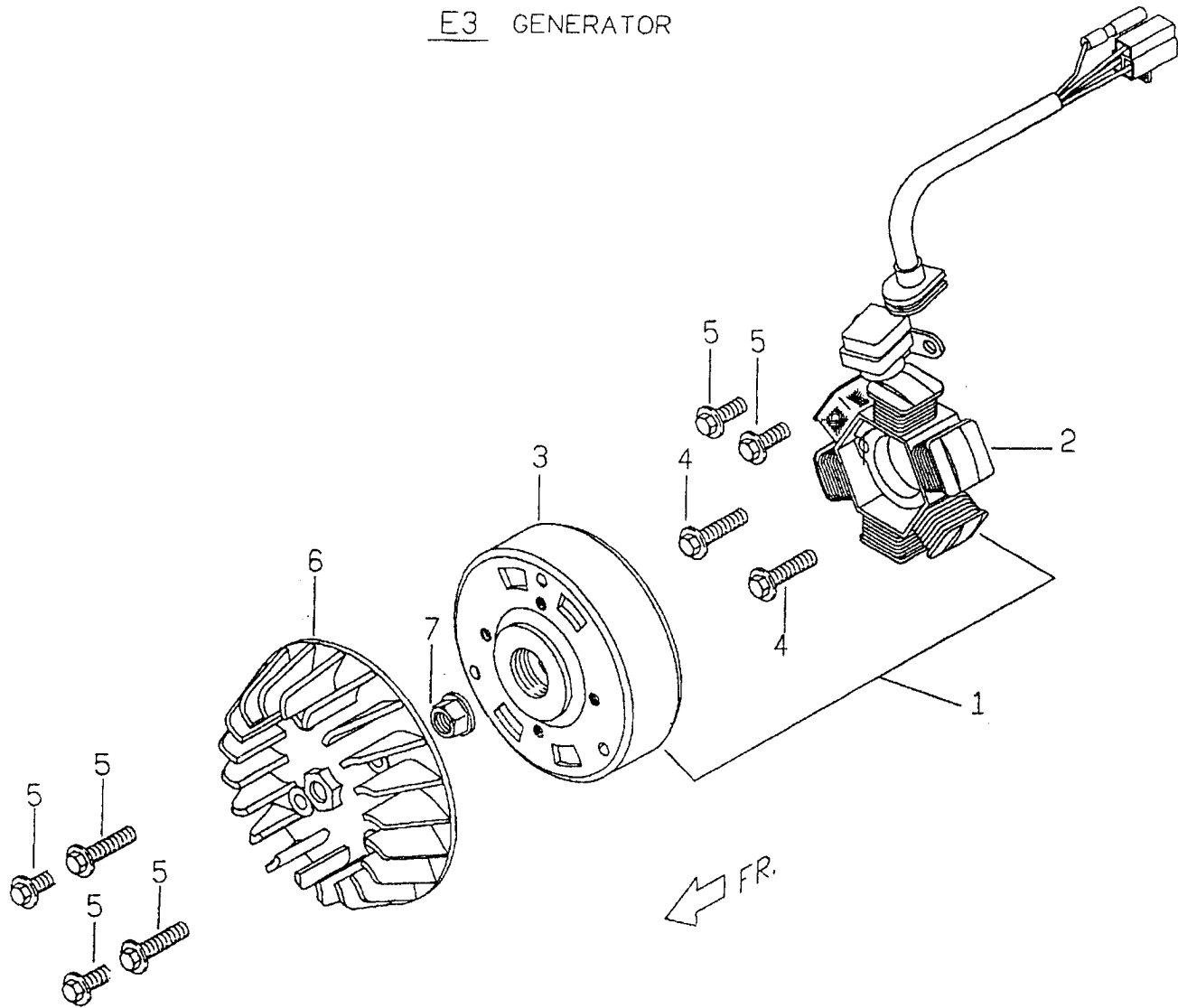




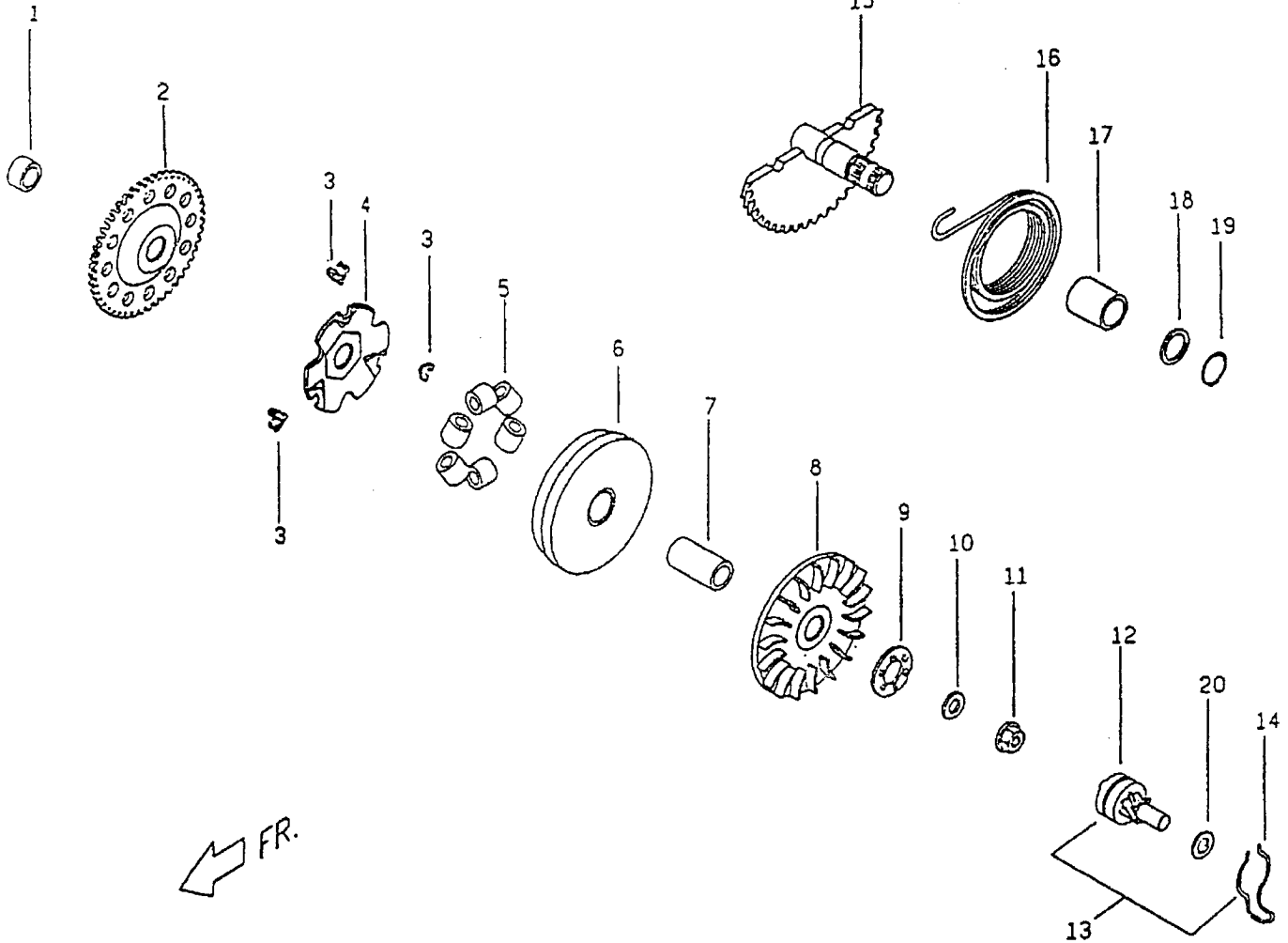
E2 FAN COVER · COOLING COWL  
CYLINDER · CYLINDER HEAD



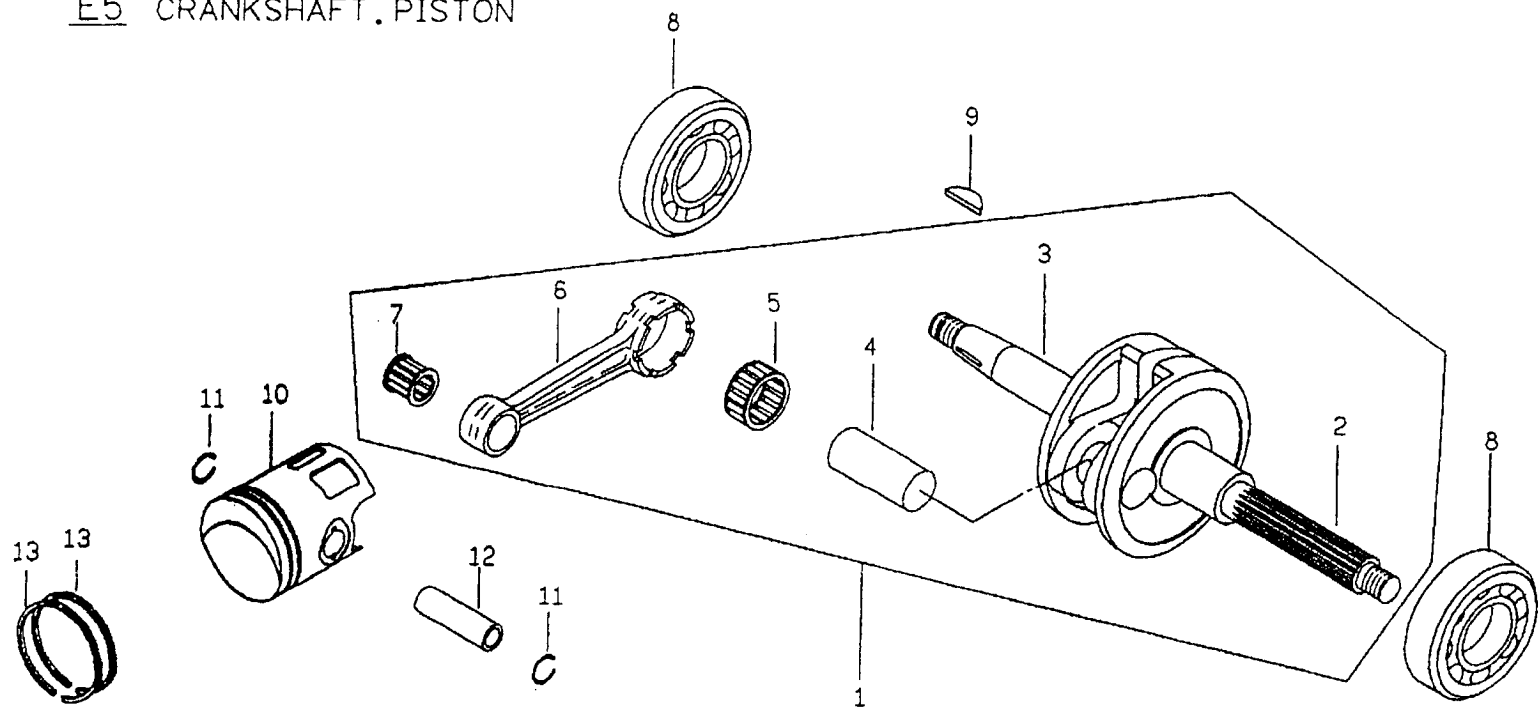
E3 GENERATOR



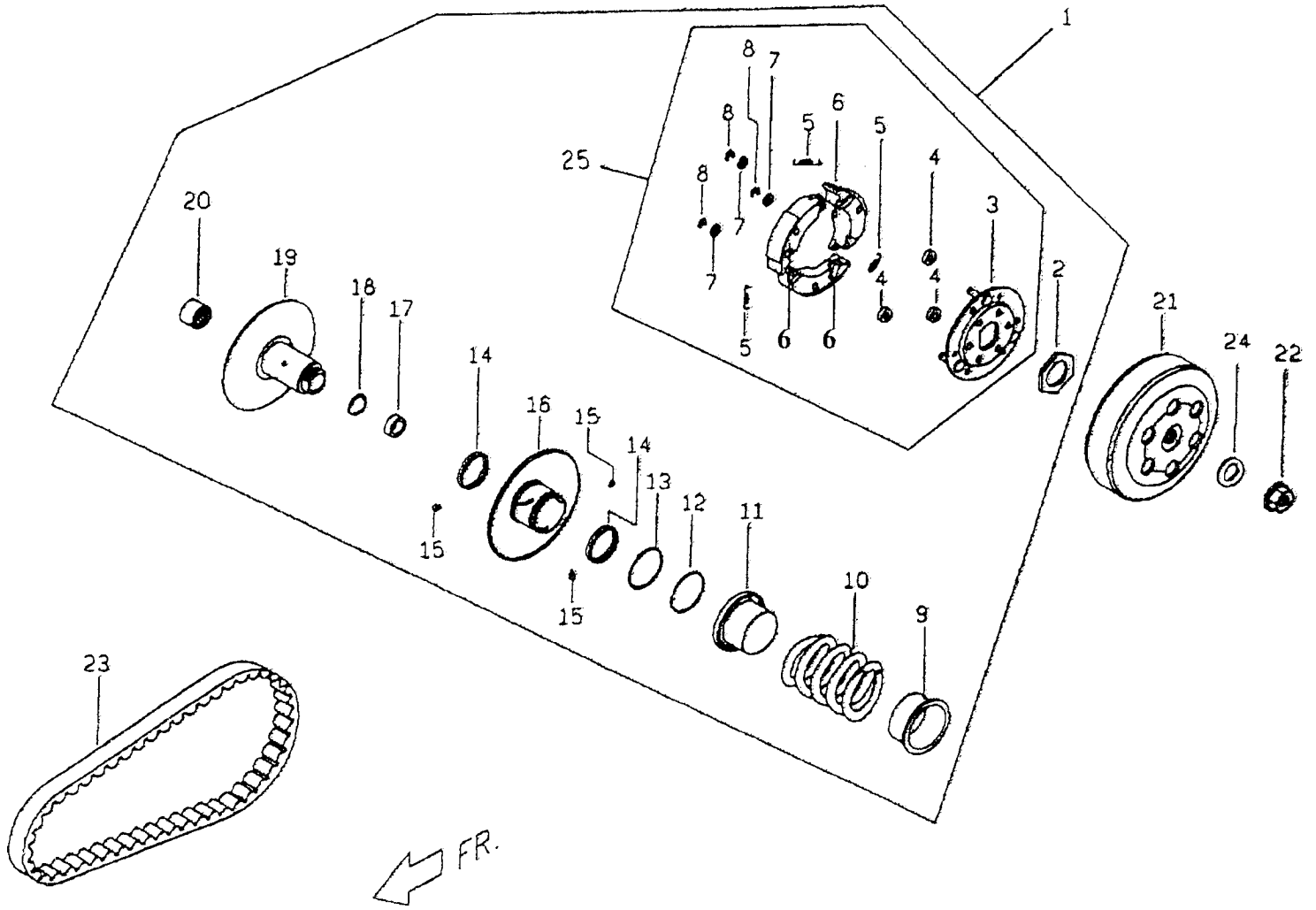
# E4 DRIVING FACE



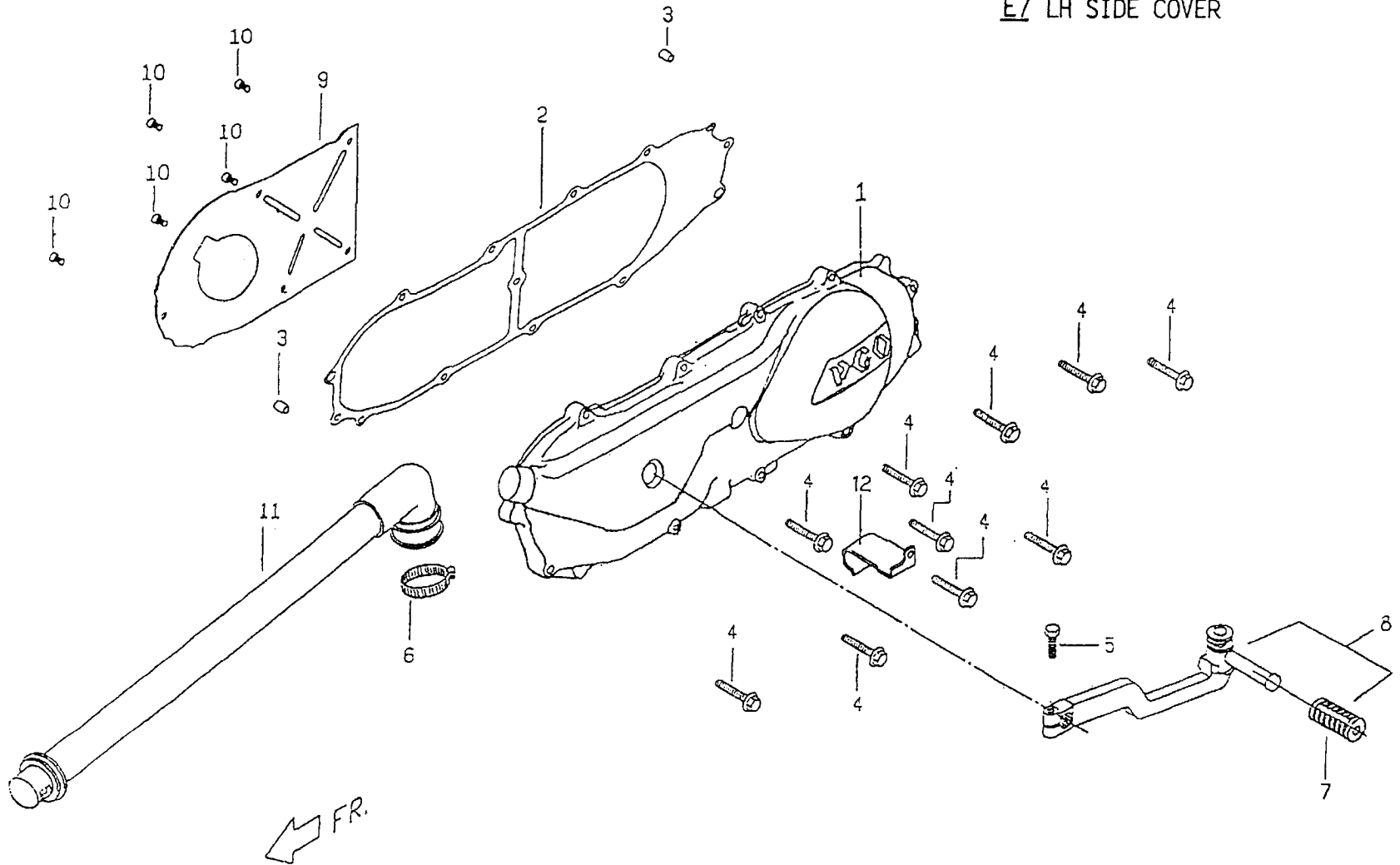
E5 CRANKSHAFT, PISTON



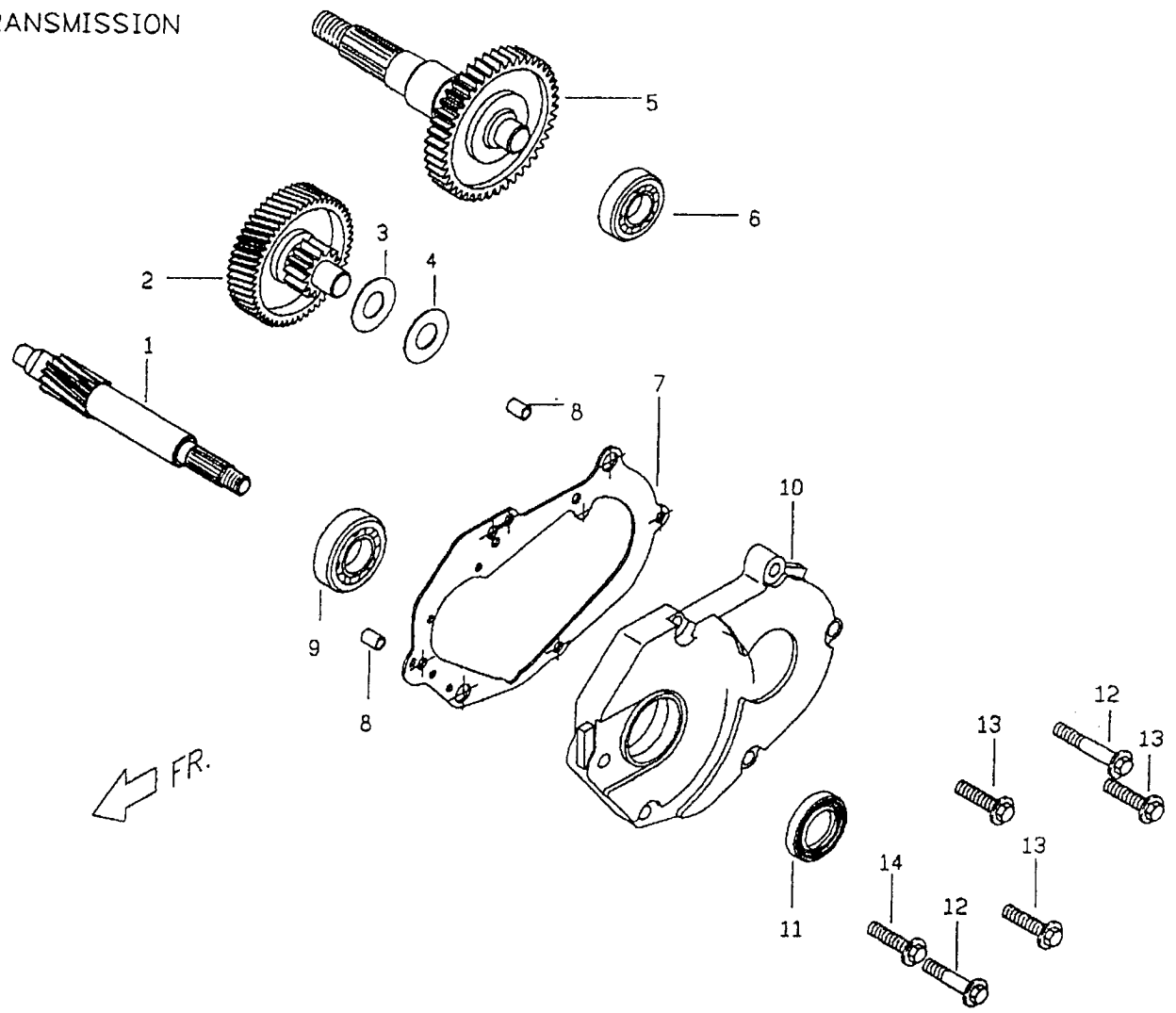
E6 BELT PULLEY COMP. DRIVEN FACE



# E7 LH SIDE COVER

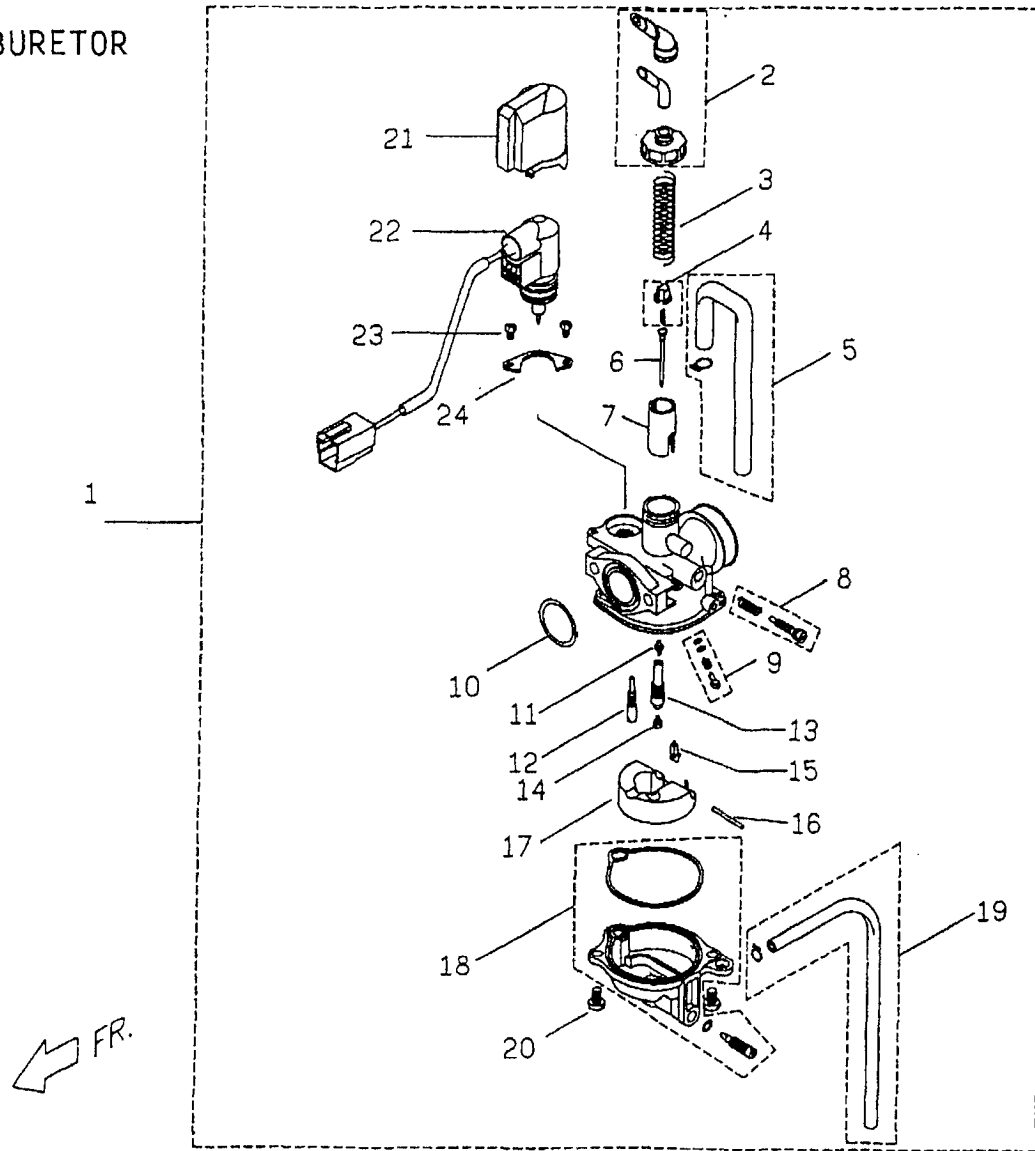


# E8 TRANSMISSION

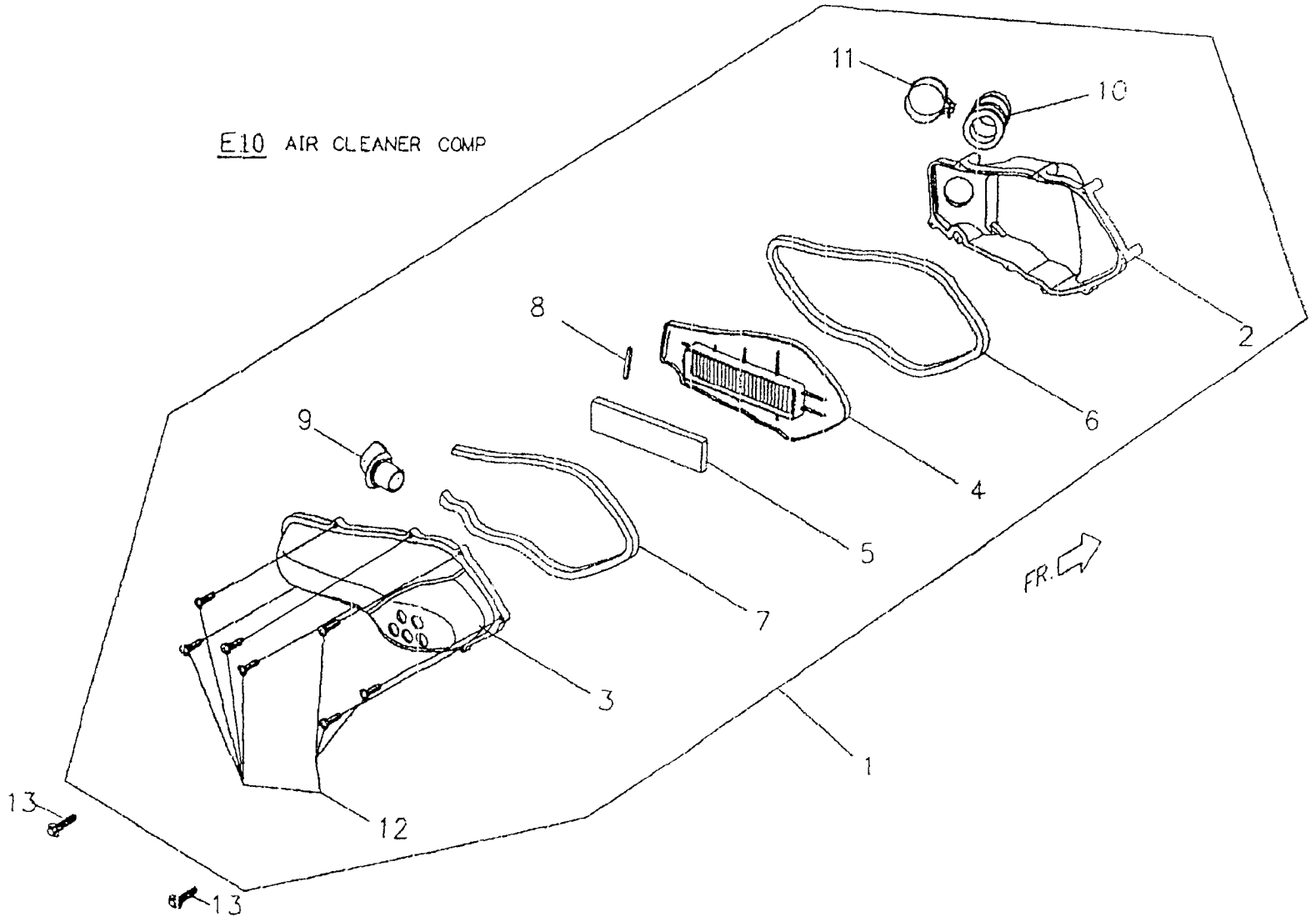




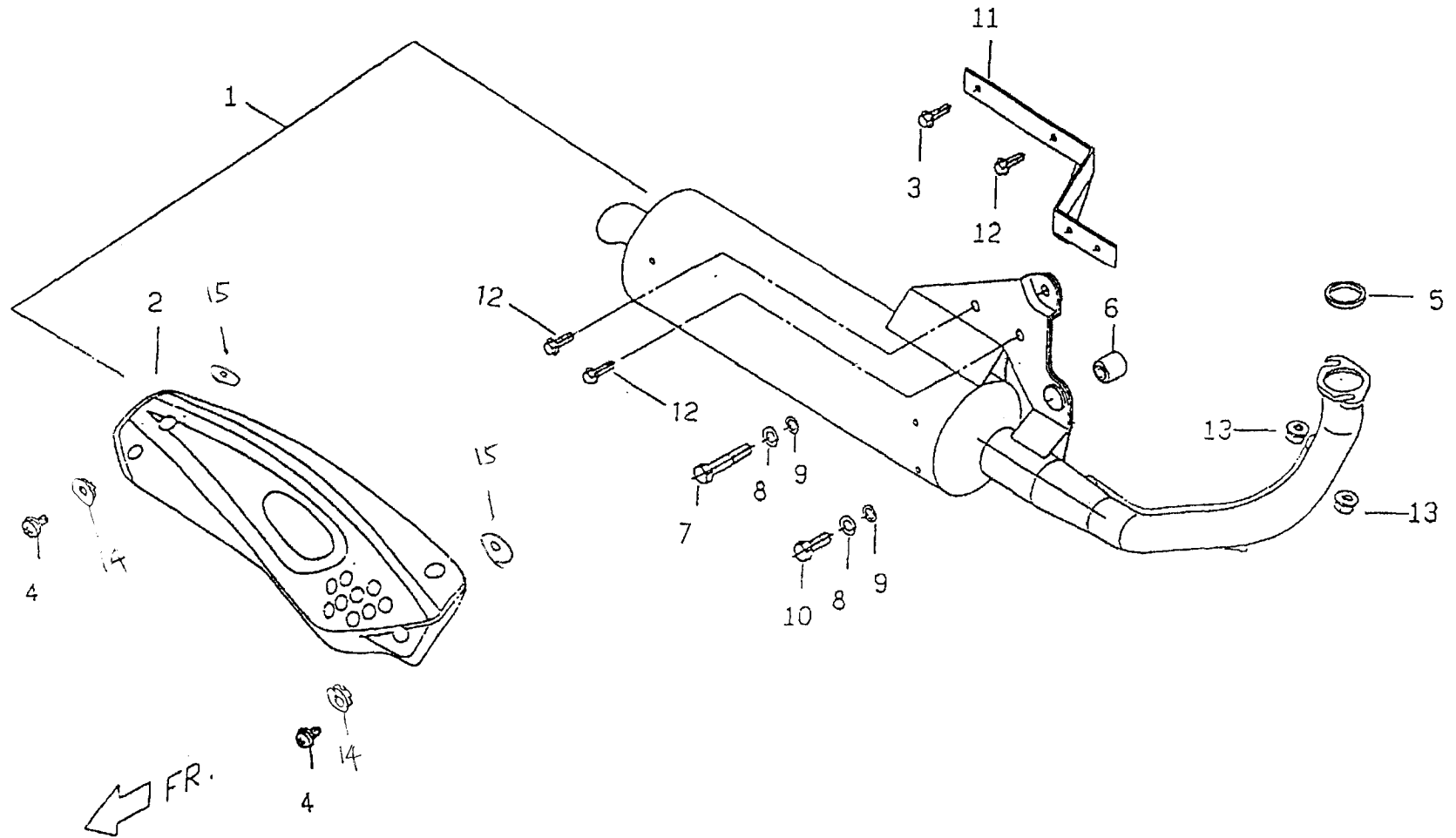
# E9 CARBURETOR



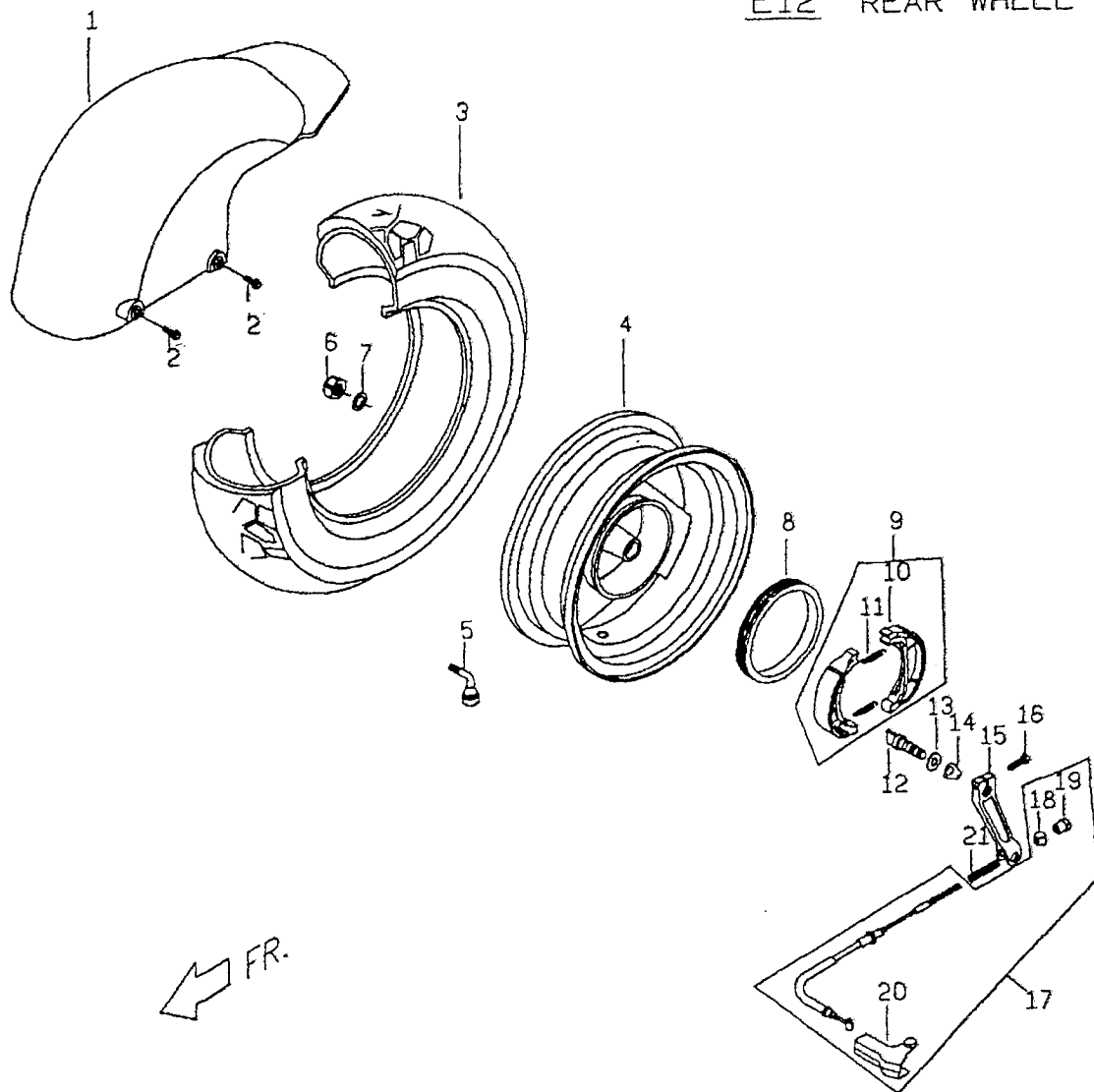
E10 AIR CLEANER COMP



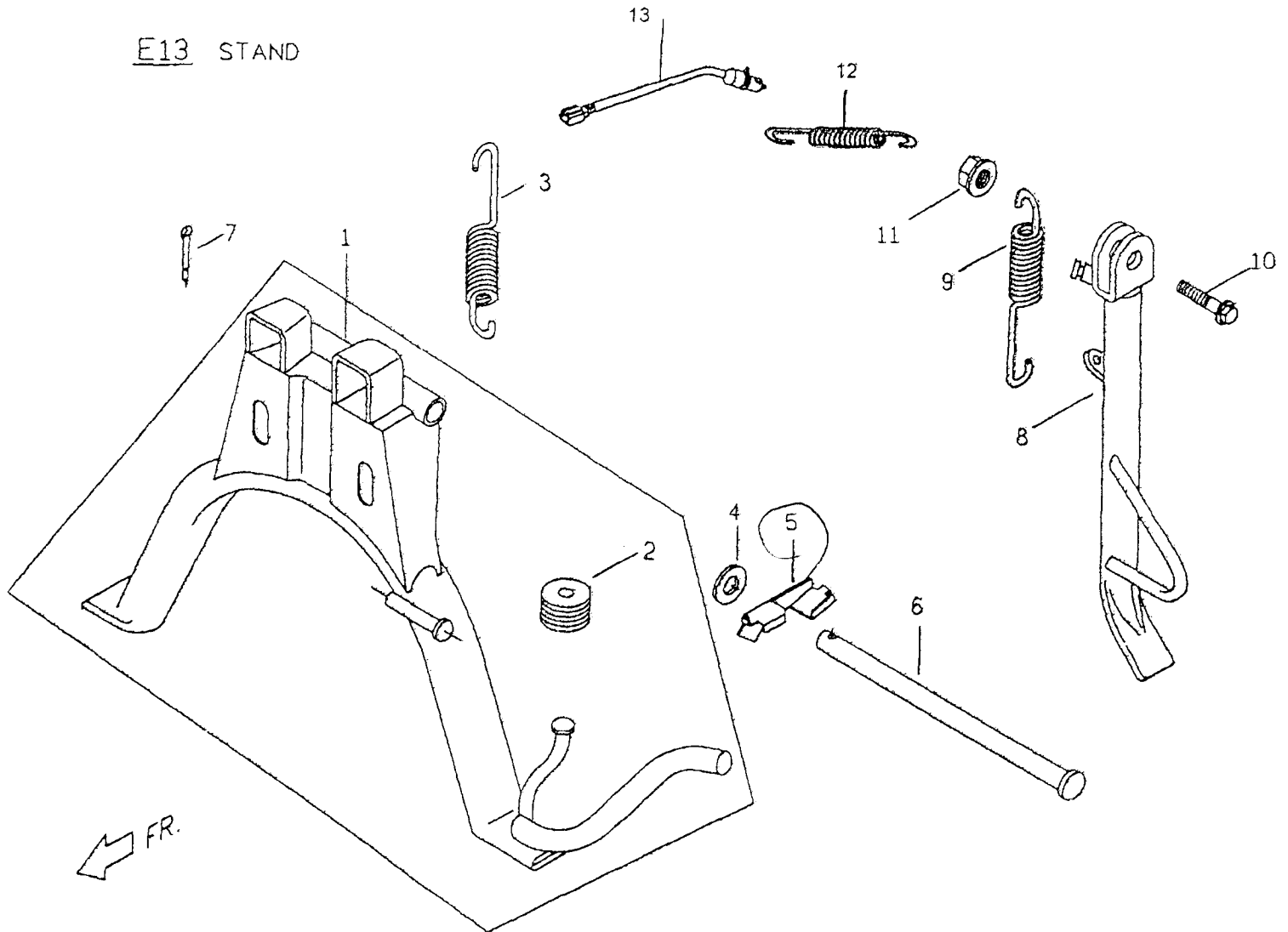
# E11 MUFFLER



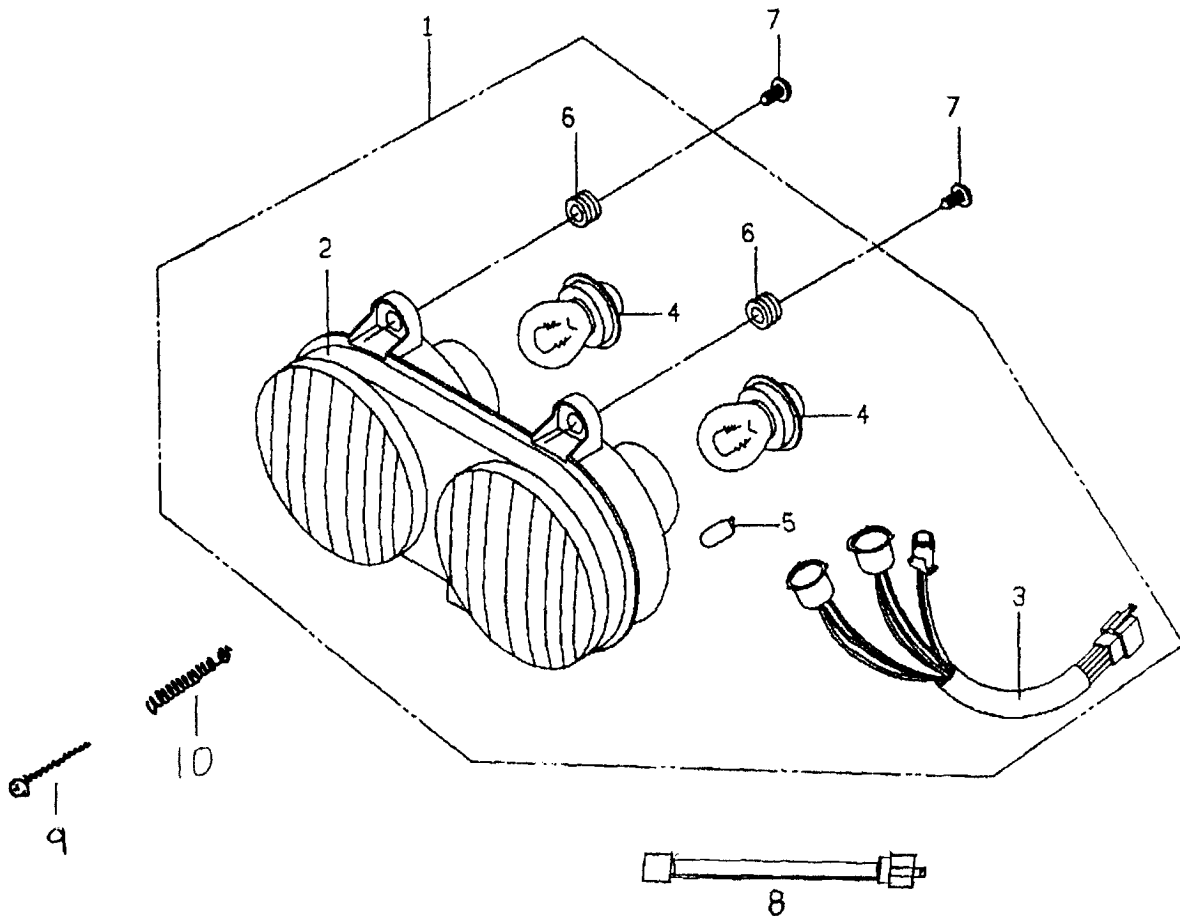
# E12 REAR WHEEL



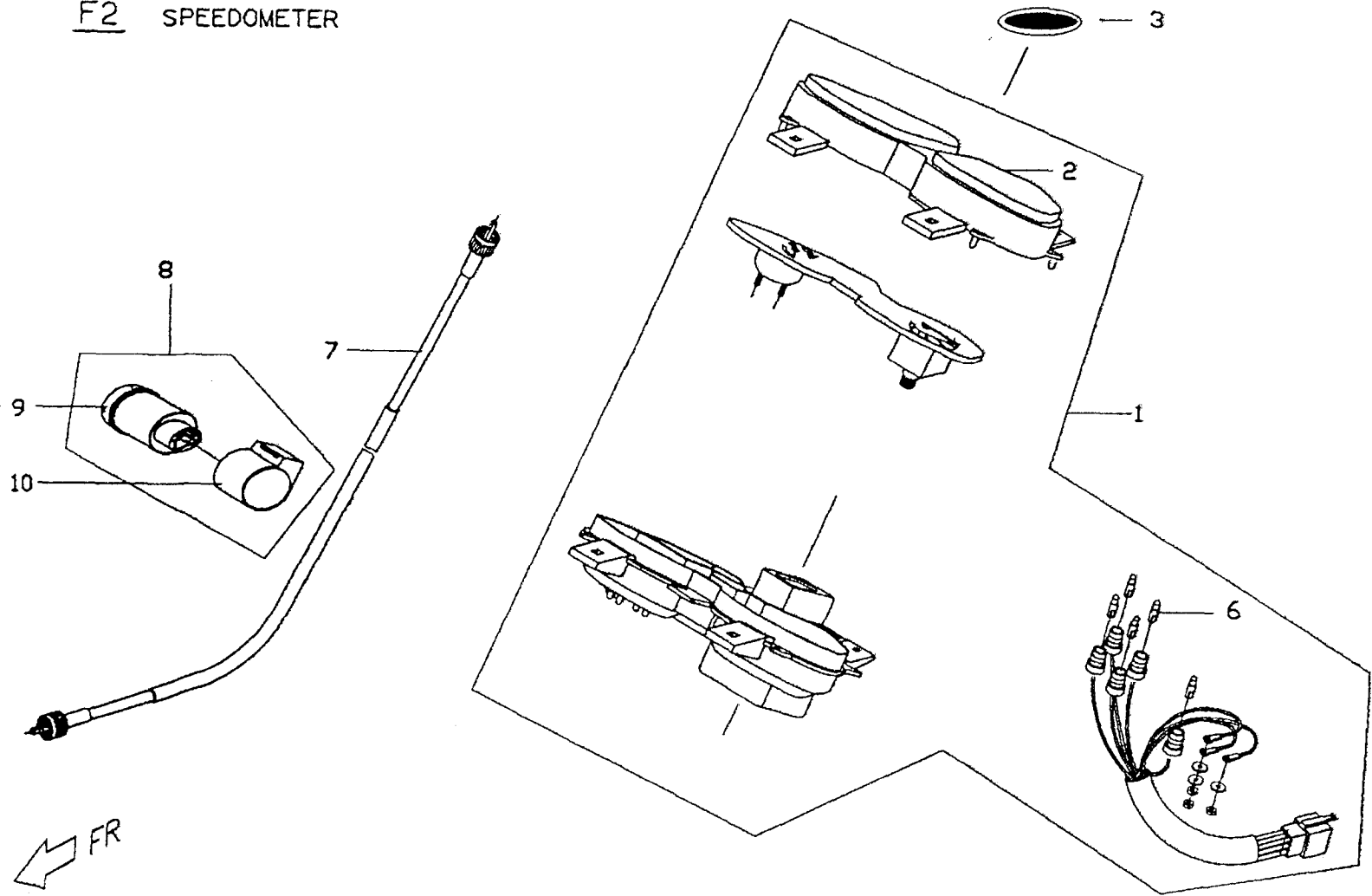
E13 STAND



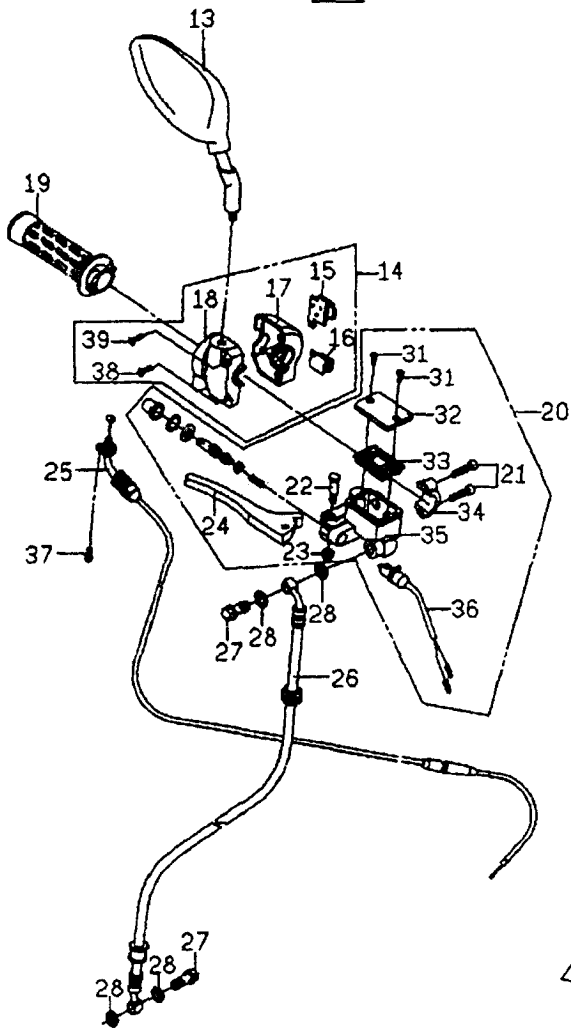
# F1 HEAD LIGHT



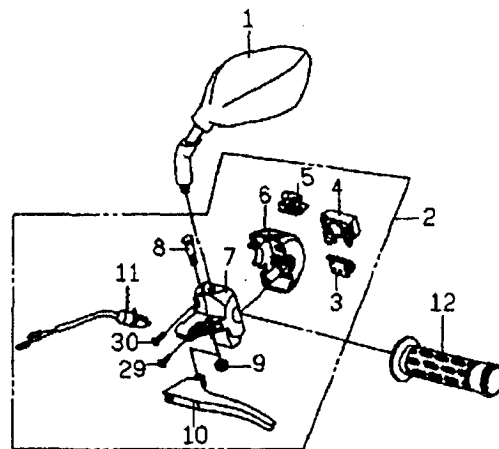
F2 SPEEDOMETER



# F3 CABLE.SWITCH.BACK MIRROR

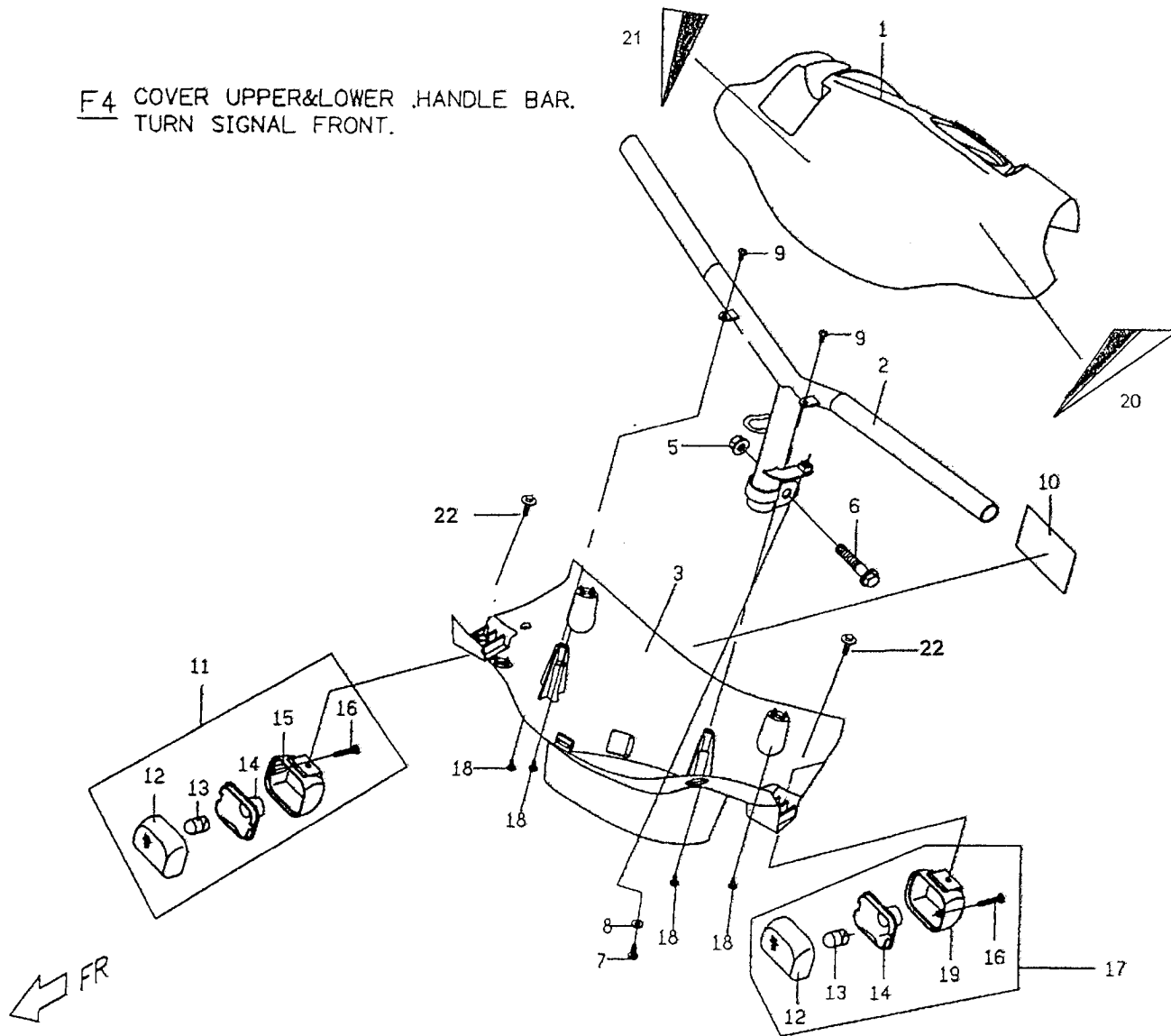


FR

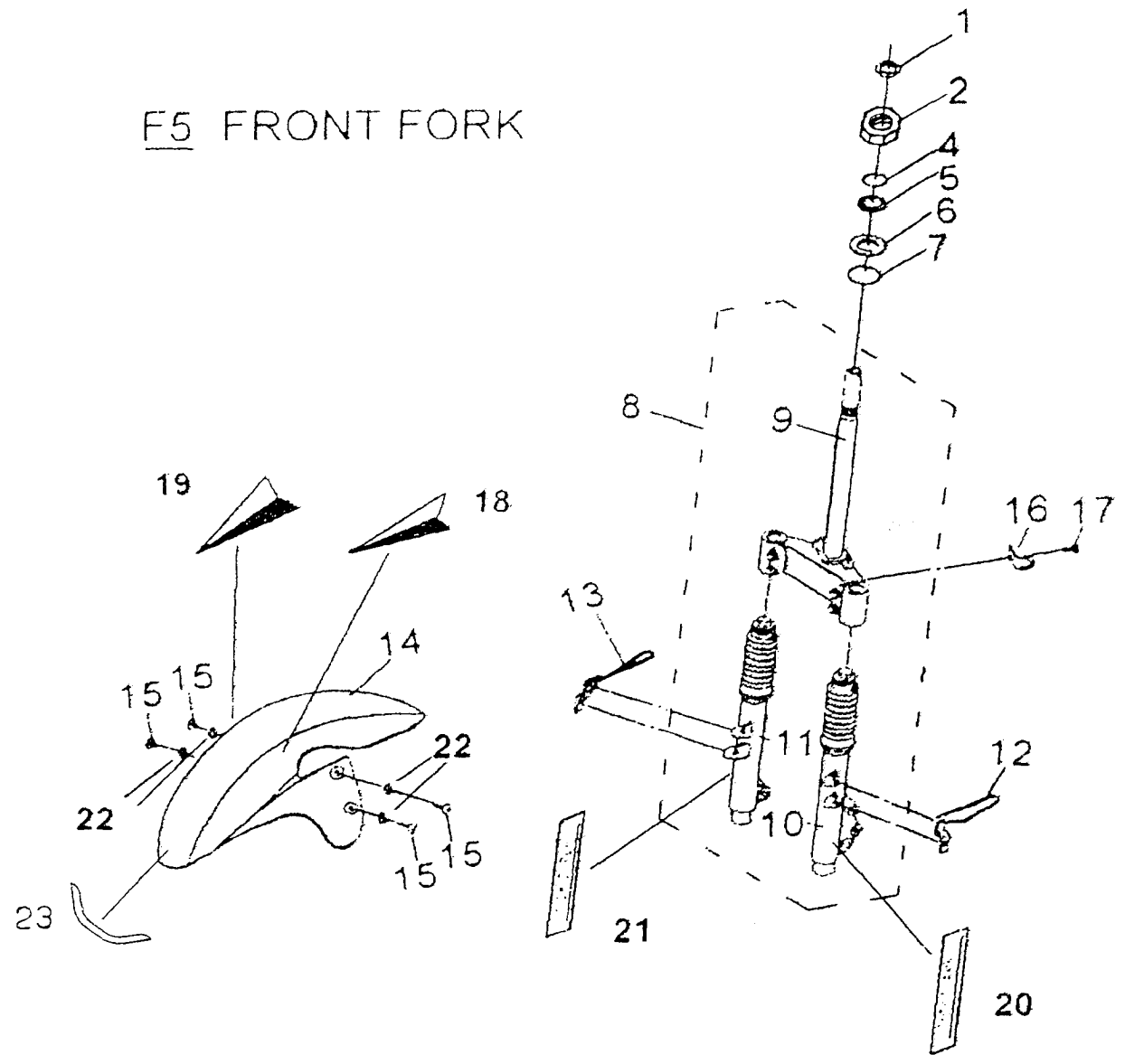




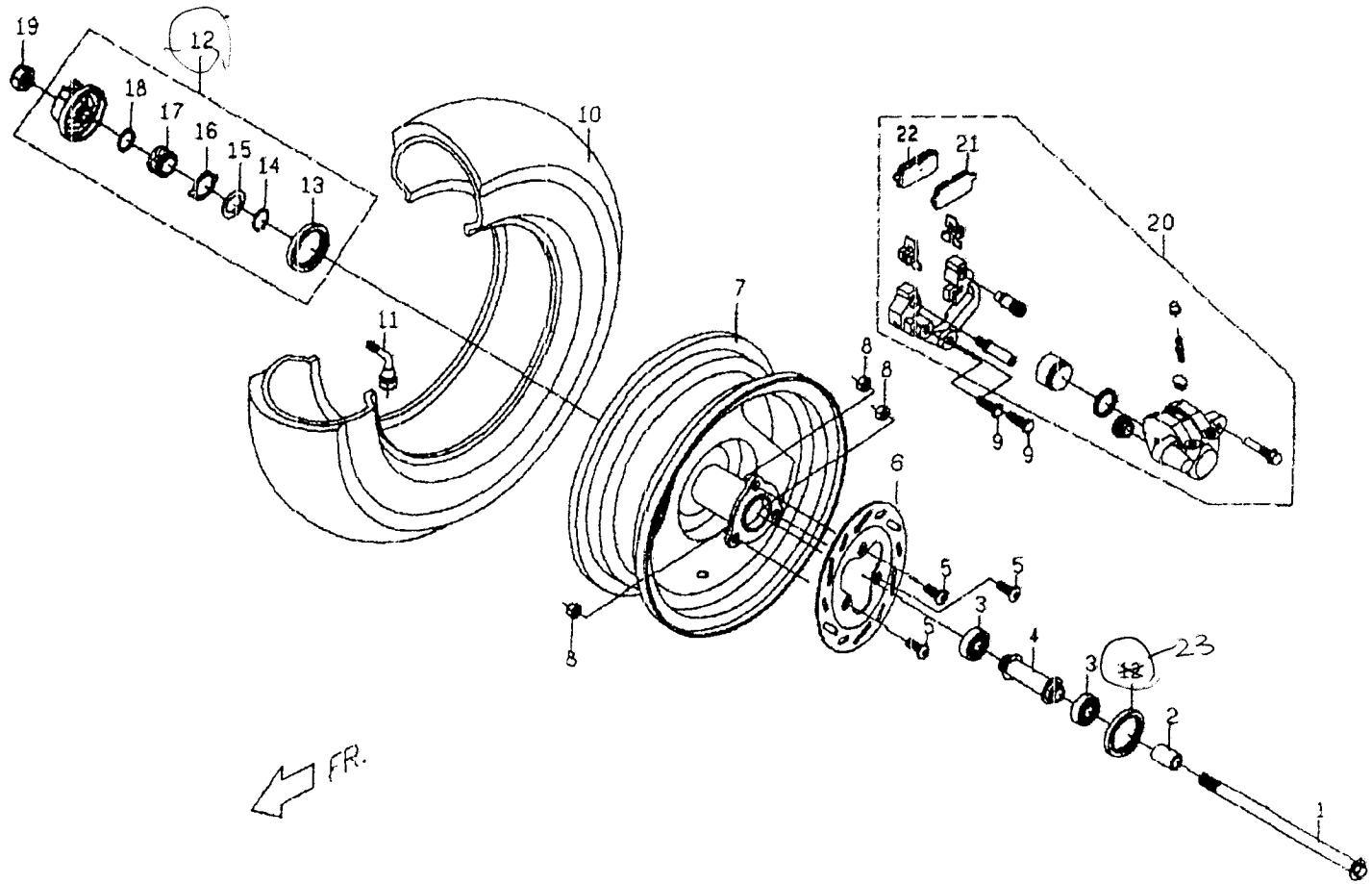
F4 COVER UPPER&LOWER HANDLE BAR.  
TURN SIGNAL FRONT.



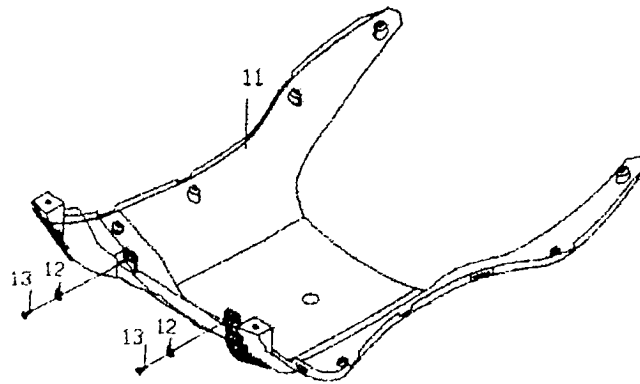
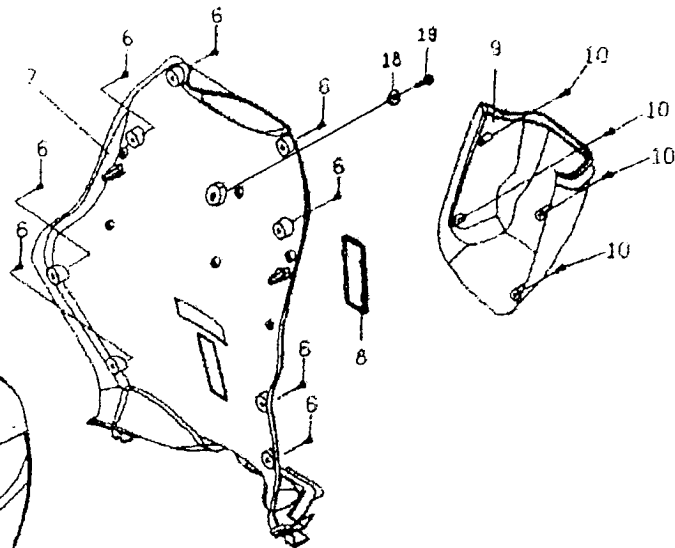
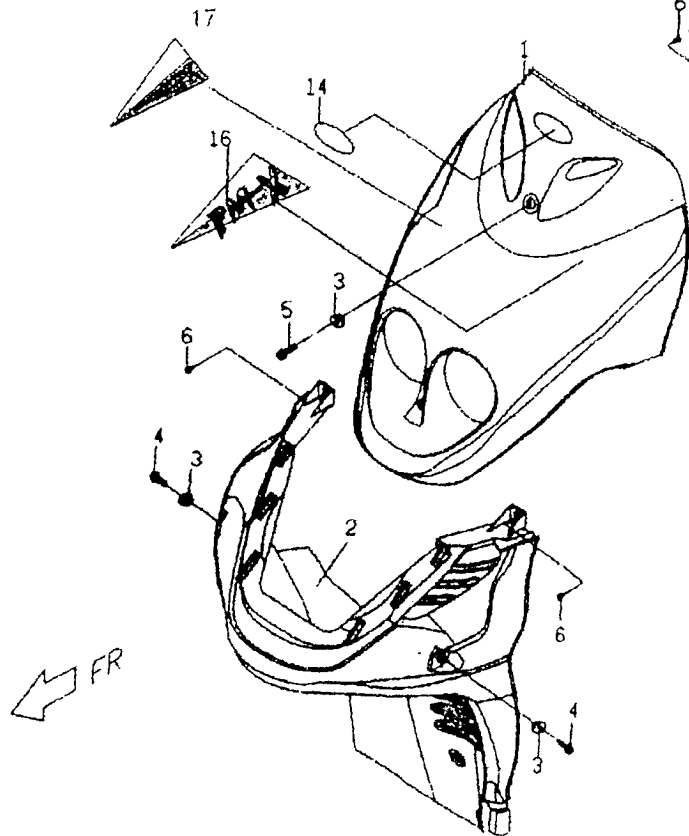
# F5 FRONT FORK



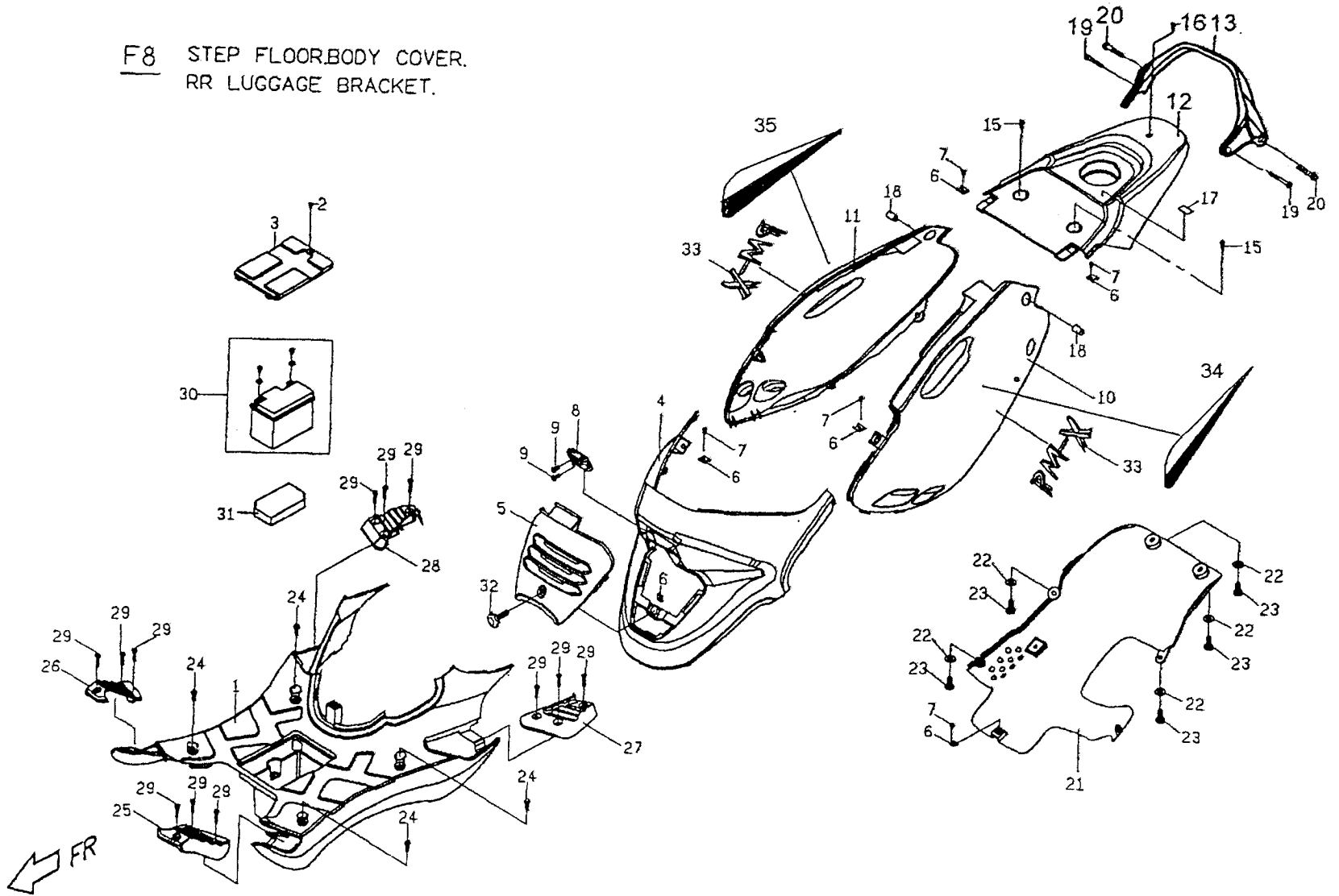
# F6 TIRE.FRT WHEEL.FRT CALIPER



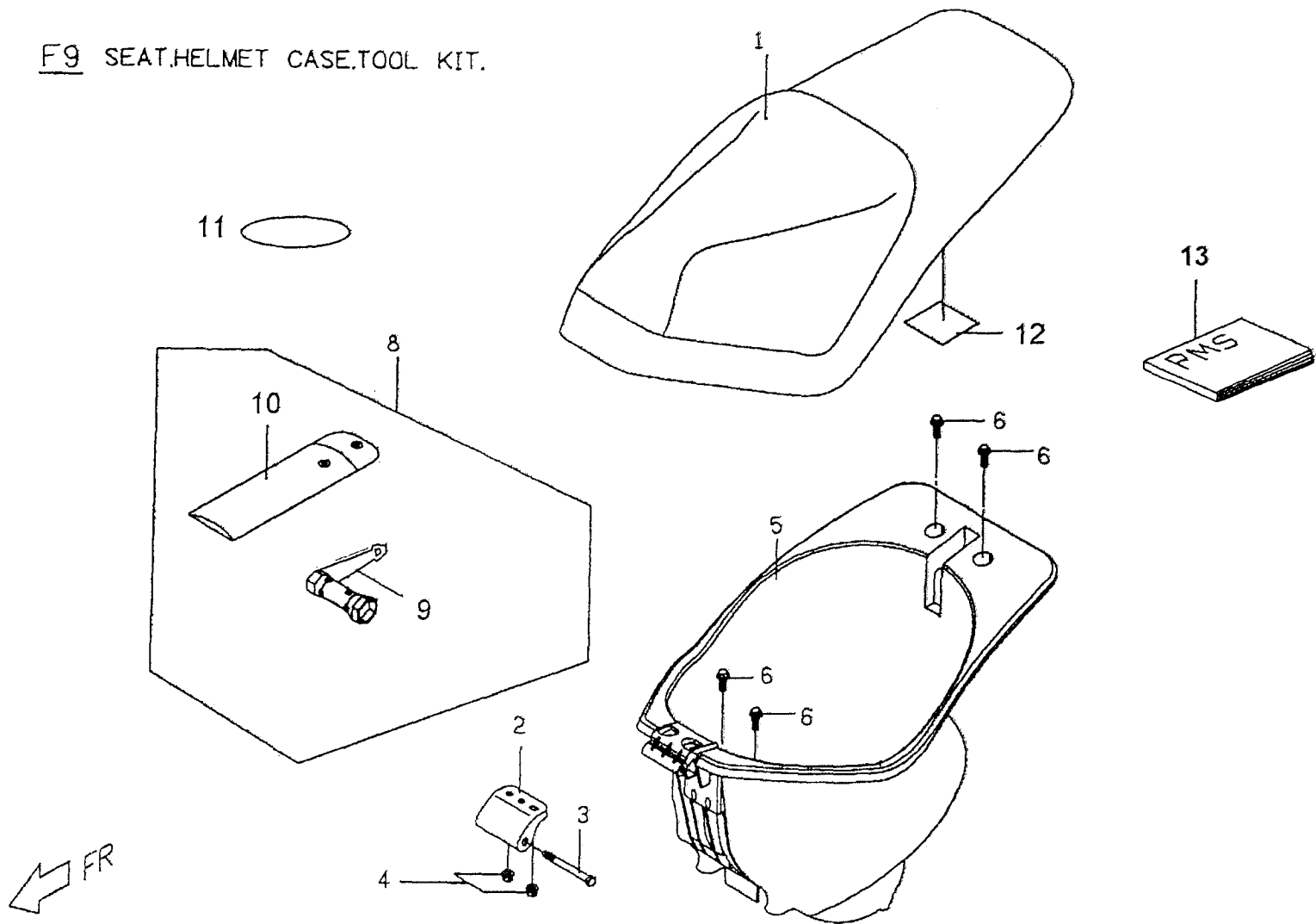
F7 FR. SHIELD. FENDER.  
COVER LOWER.



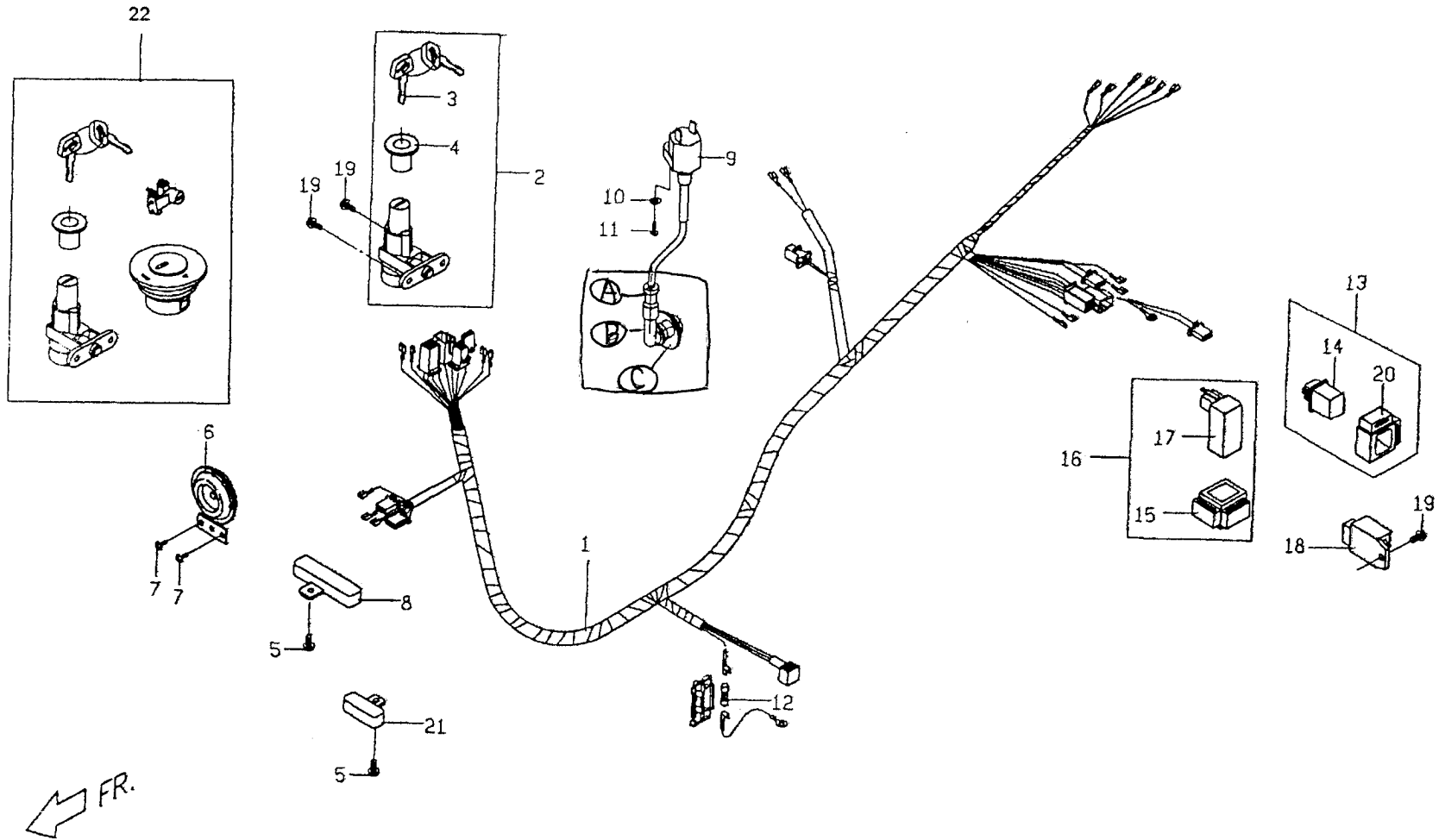
F8 STEP FLOOR BODY COVER.  
RR LUGGAGE BRACKET.



F9 SEAT, HELMET CASE, TOOL KIT.

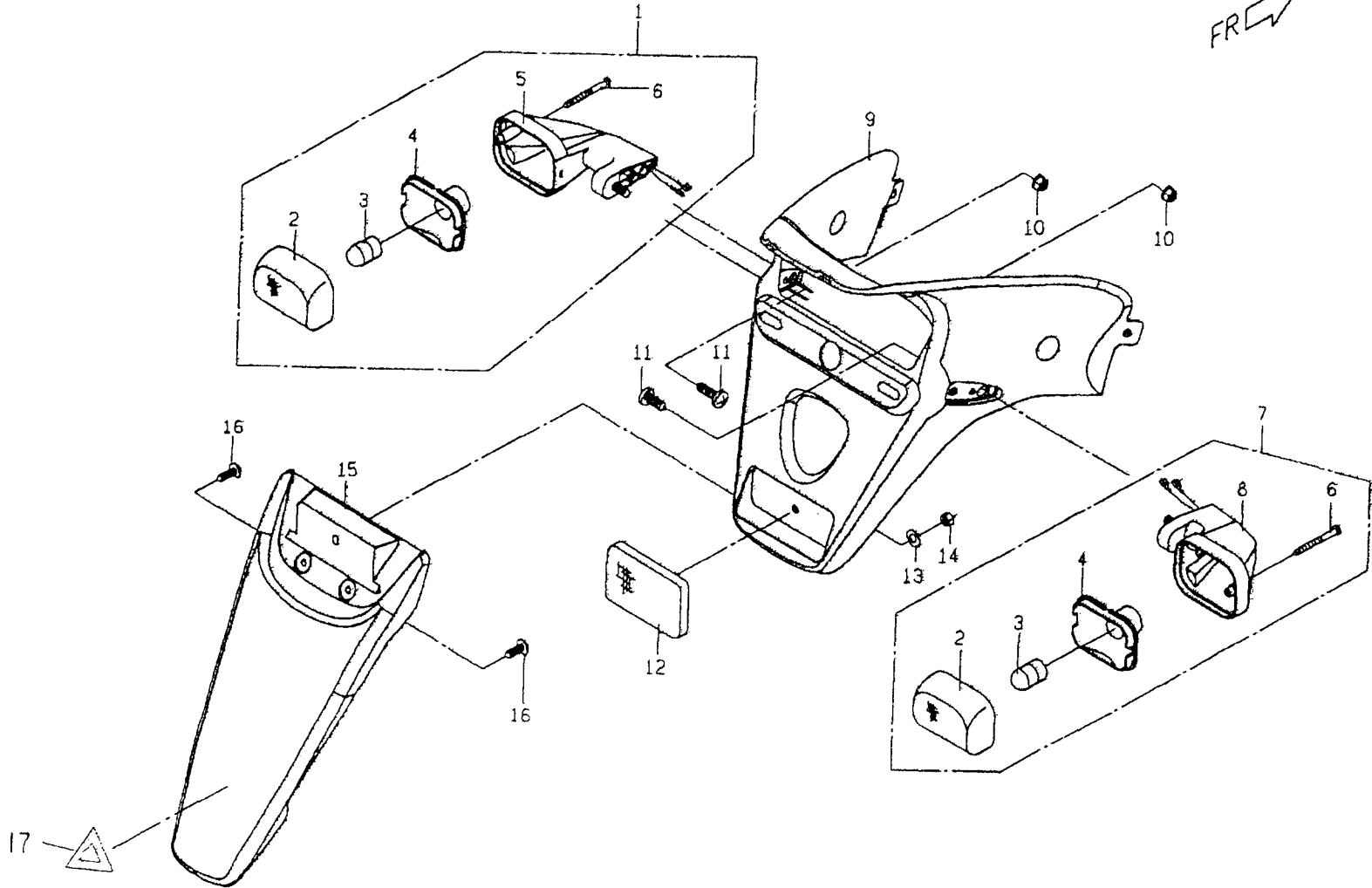


# F10 WIRE HARNESS



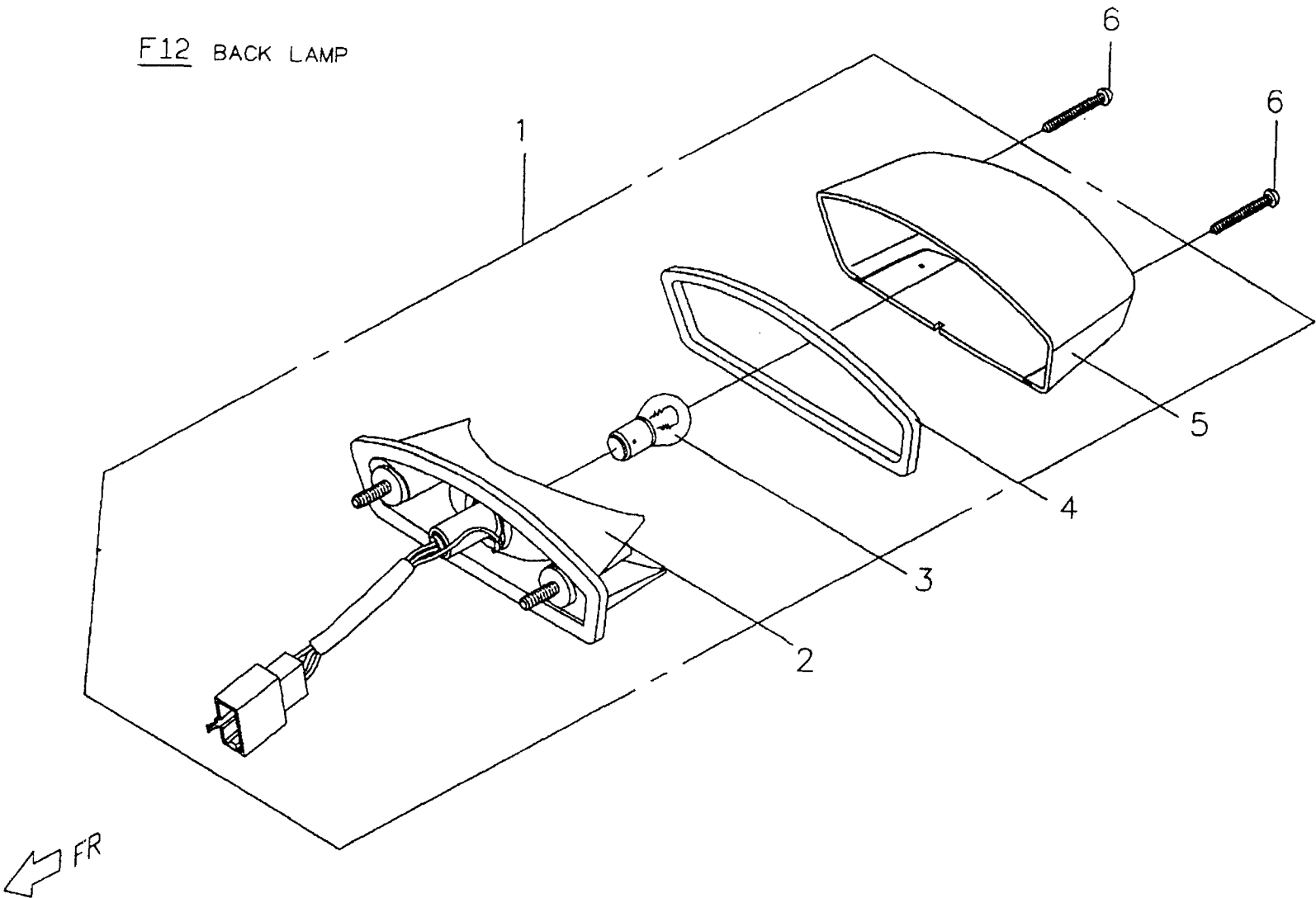
F11 LICENSE PLATE,TURN SIGNAL REAR

FR →

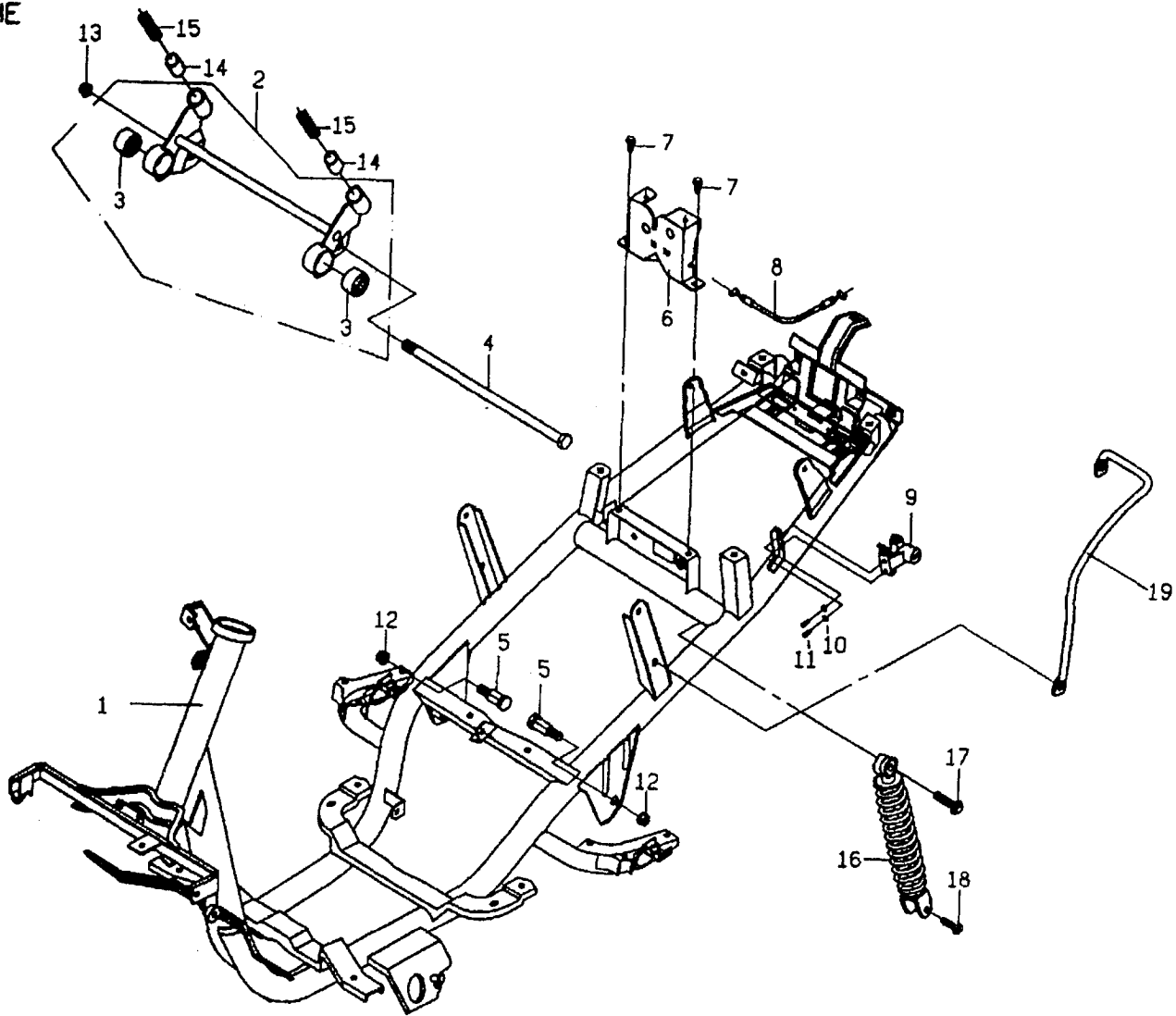




F12 BACK LAMP

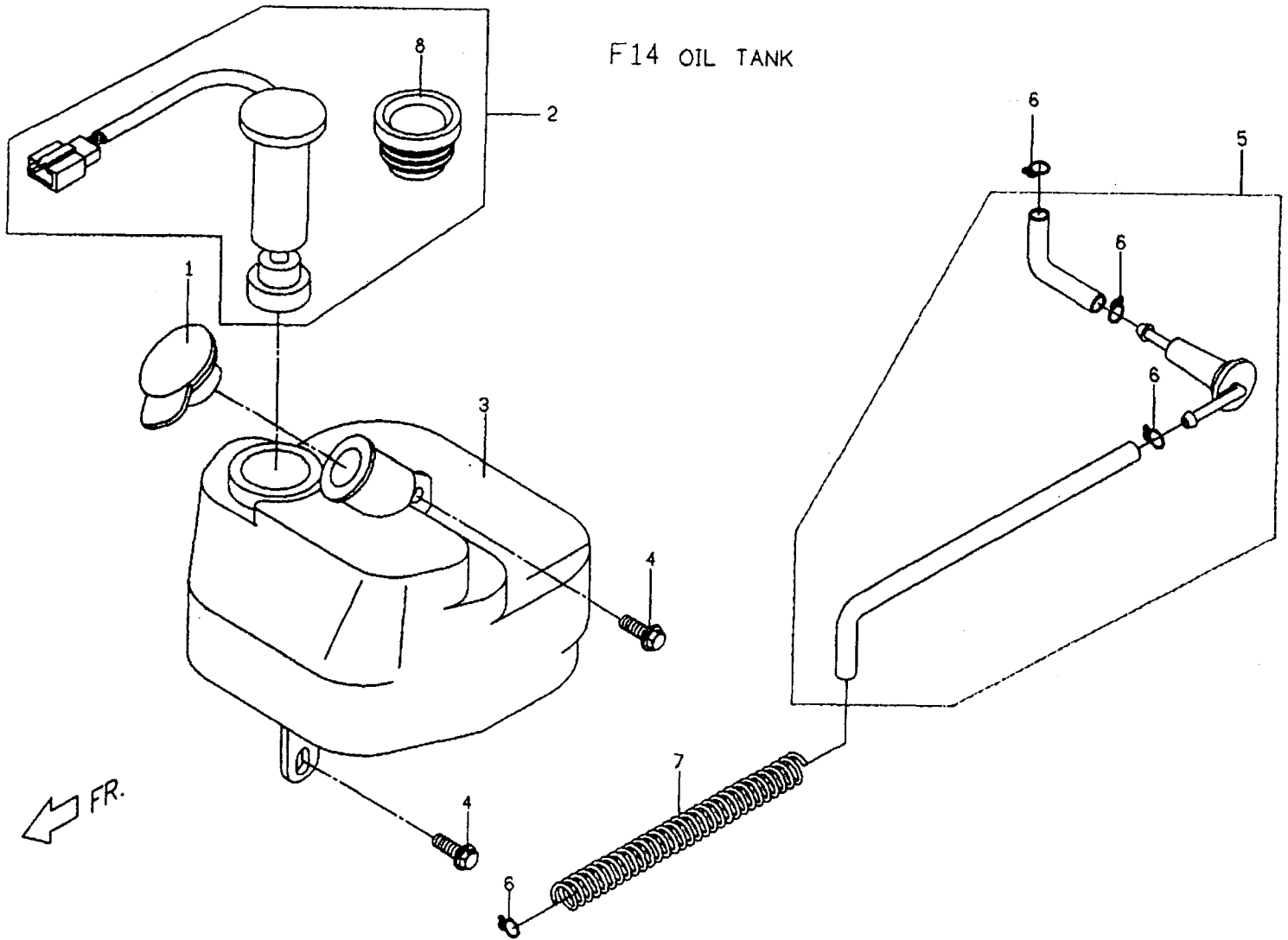


# F13 FRAME



FR

# F14 OIL TANK





F16 貼紙  
LABEL

